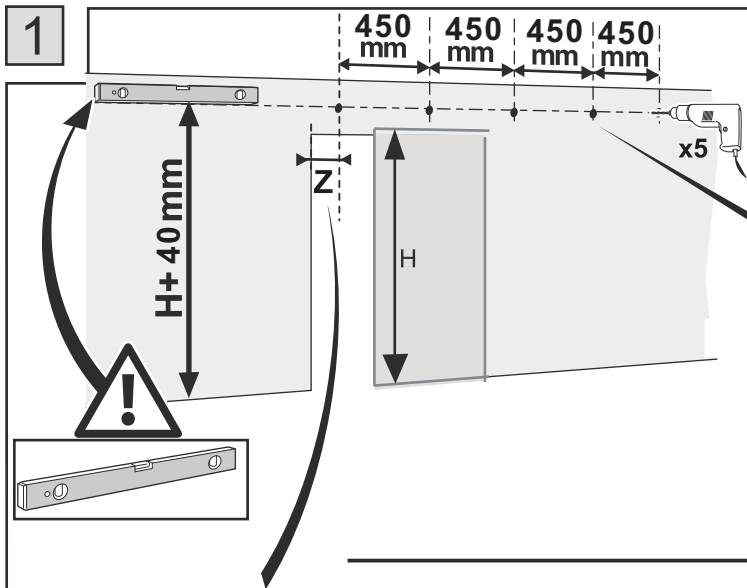
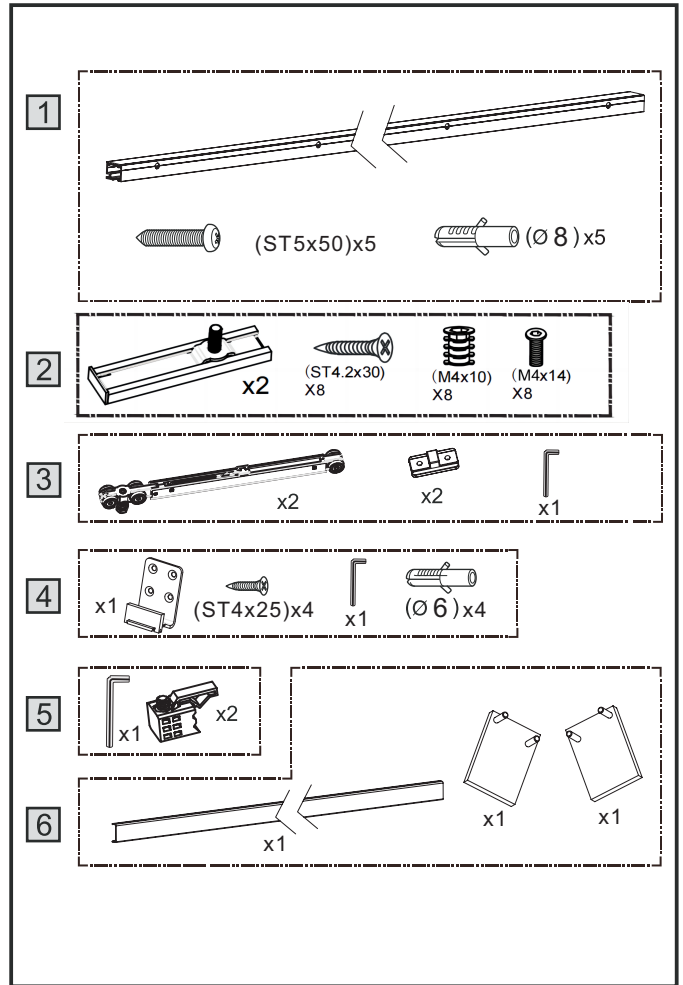
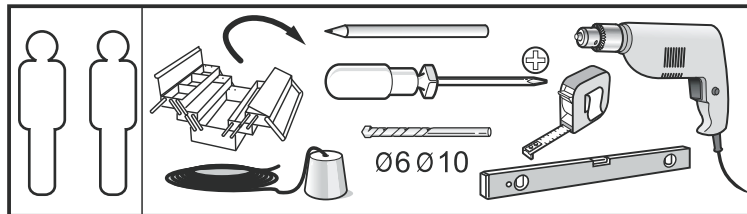
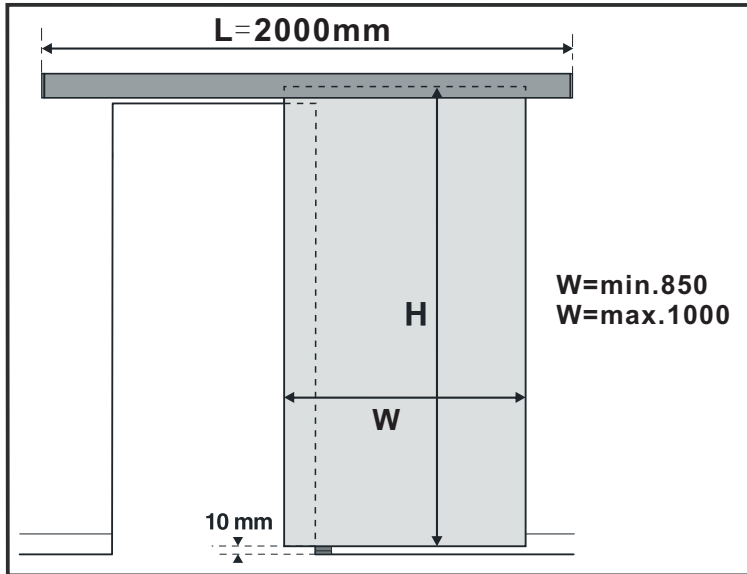


INSTALLATION MANUAL



Y1,Y2:

Door overlaps the opening when slide the door to the closed position.

Y1,Y2 mini.=25mm

Optional 1:Keep Y1=Y2,

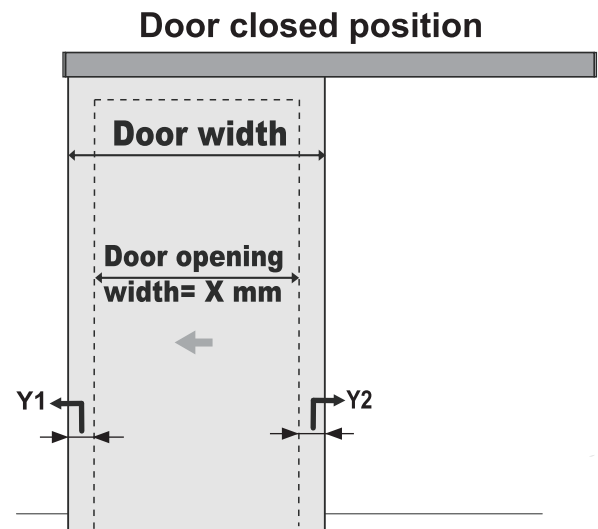
Then the track first hole position Z need to be:

$$Z=100-(w-x)/2.(Z \text{ max}=75\text{mm})$$

Optional 2:keep Z=75mm(Z max.data)

Then Y1=25mm≤Y2

Door opening width X max.=950mm



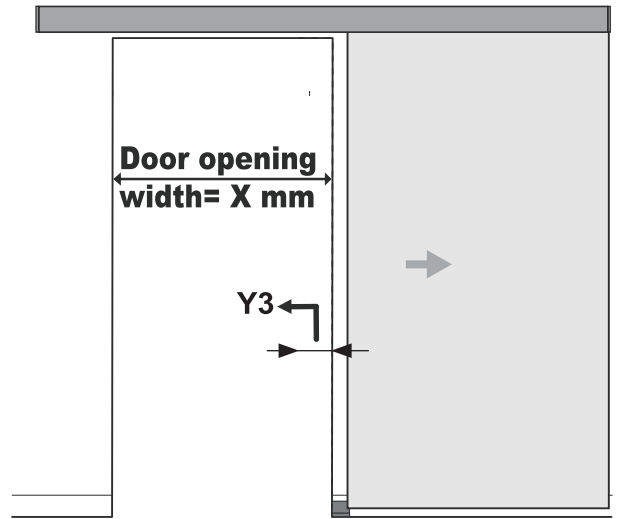
Door open position

Y3:

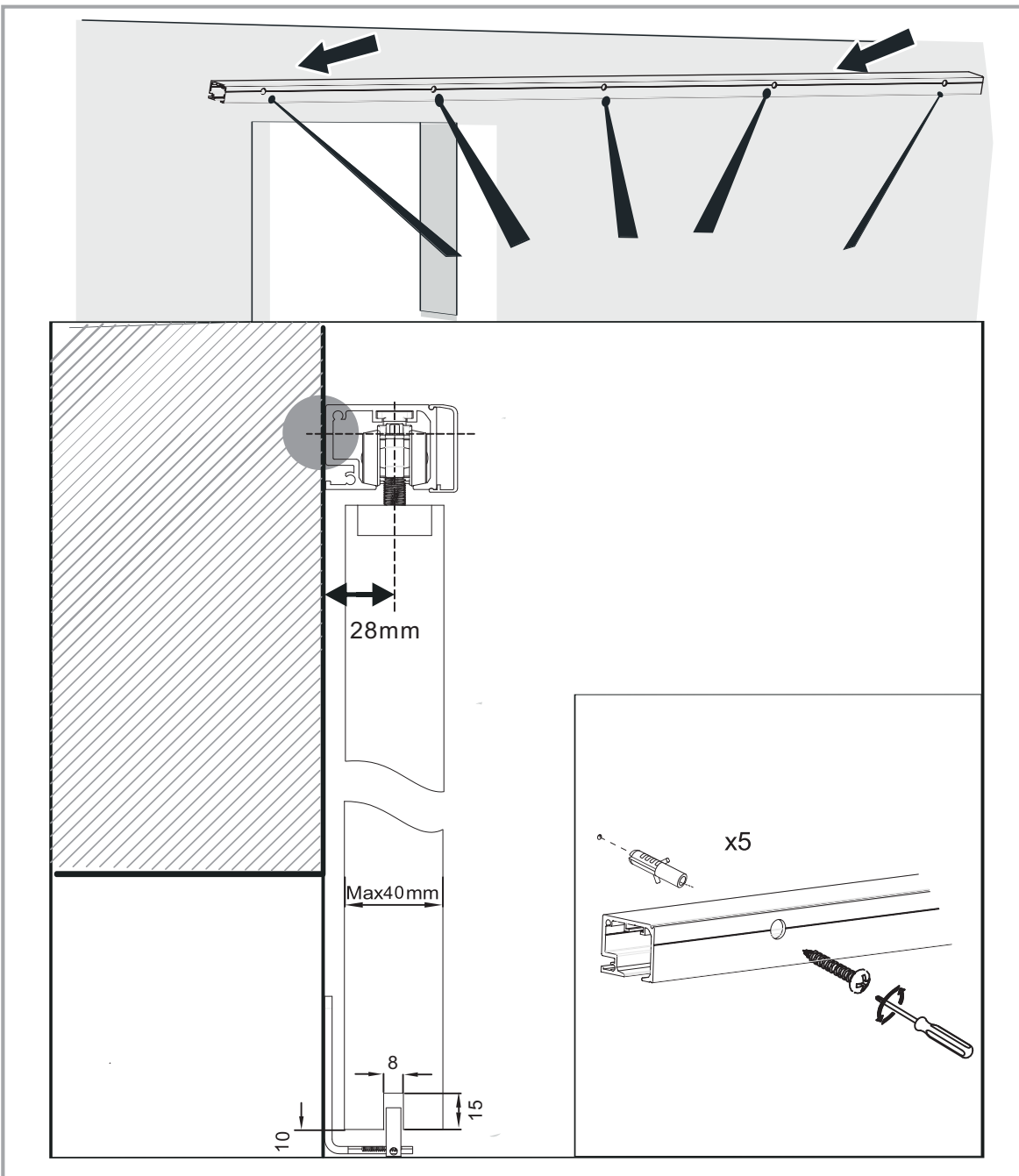
Door overlaps the opening when slide the door to the open position.

When $Y1=Y2$,
 $Y3=L-(W+X+Y1)$

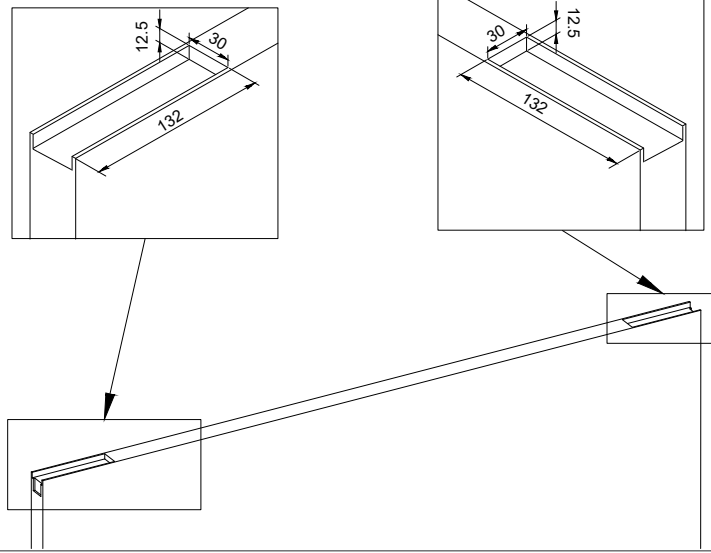
When $Y1<Y2$,
 $Y3>L-(W+X+Y1)$



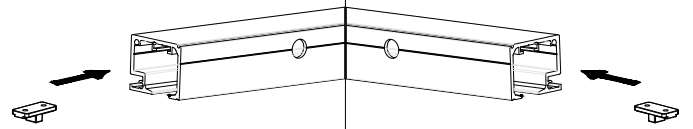
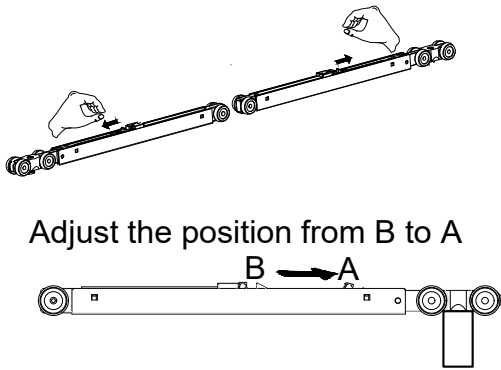
2



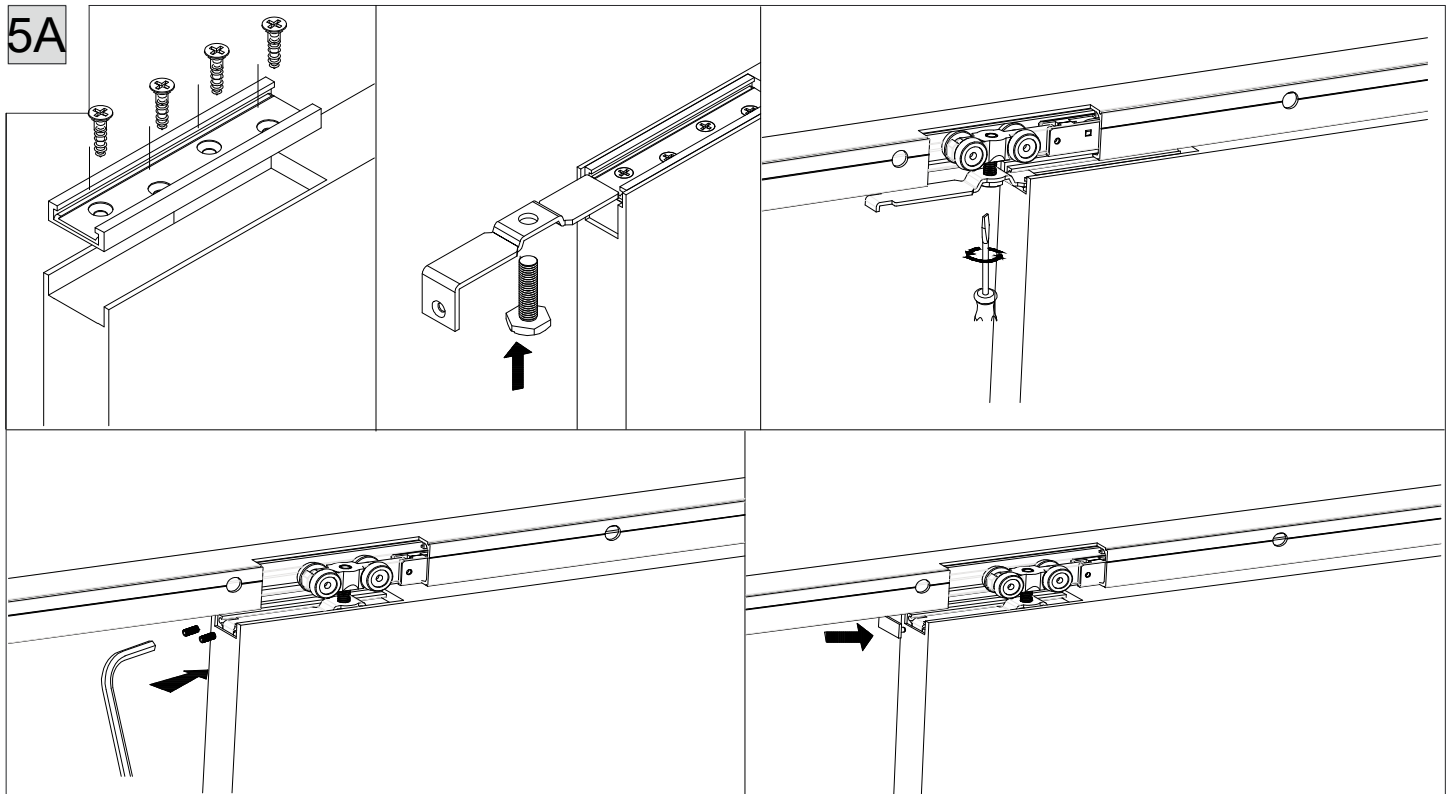
3



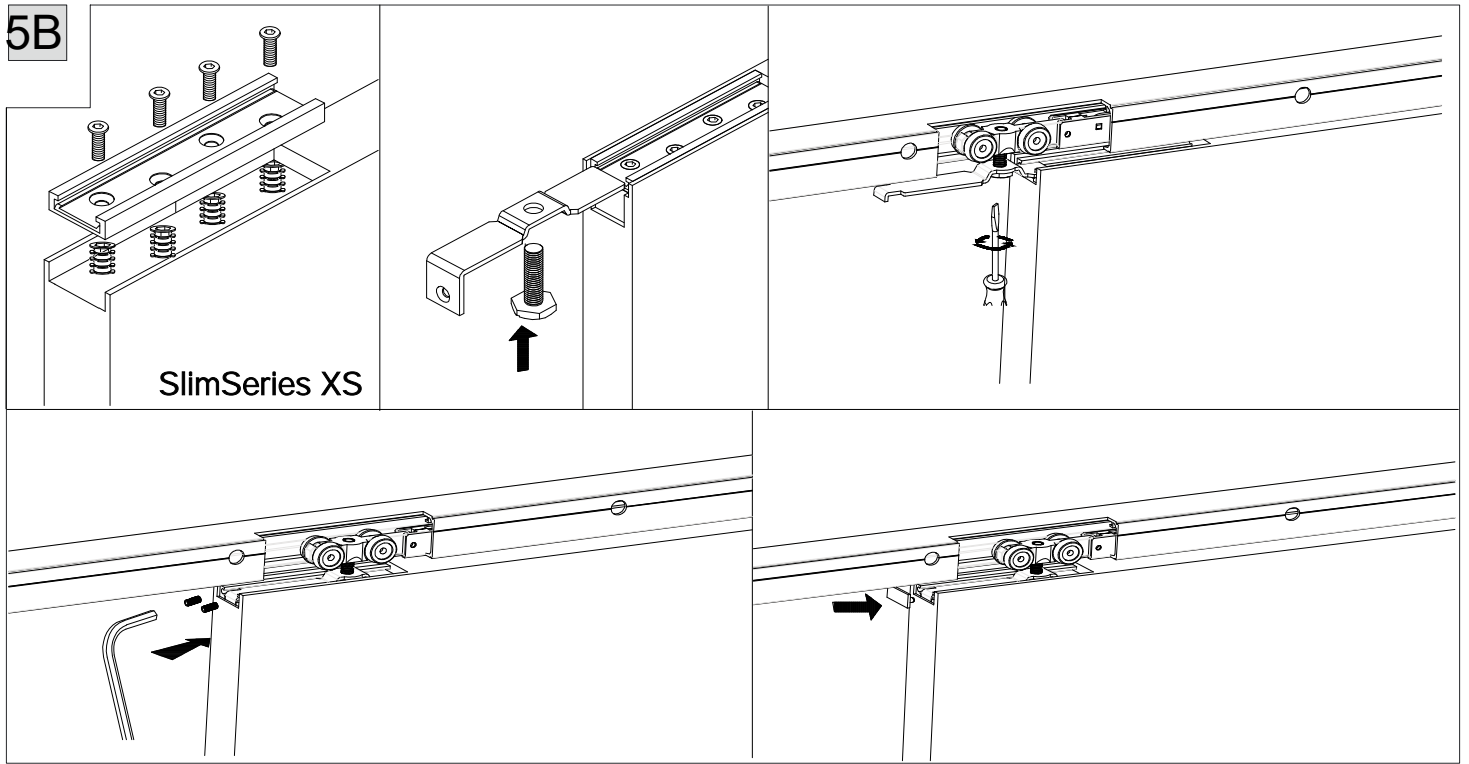
4



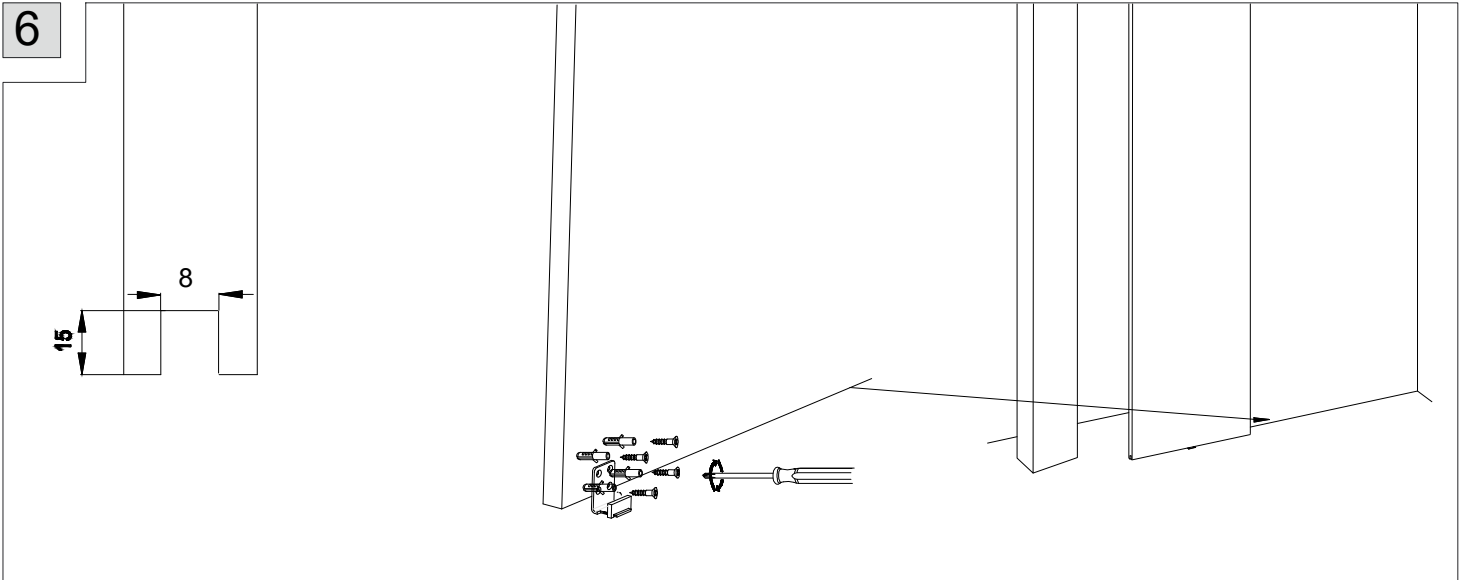
5A



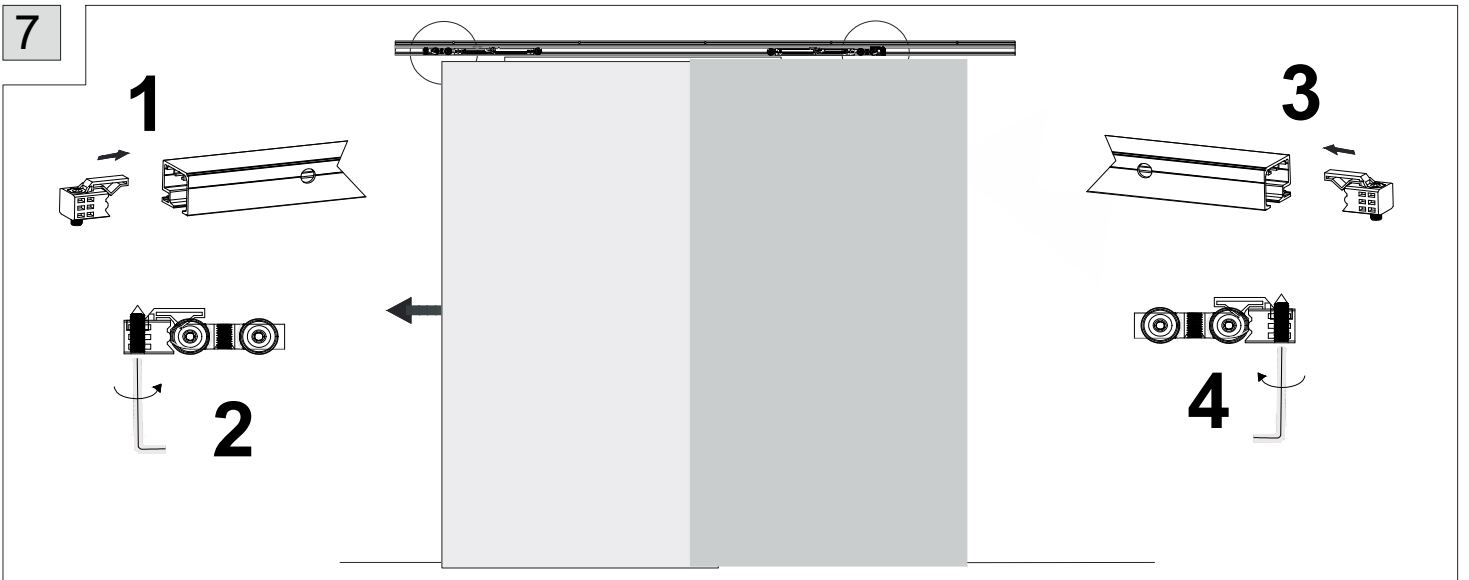
5B



6



7



8

